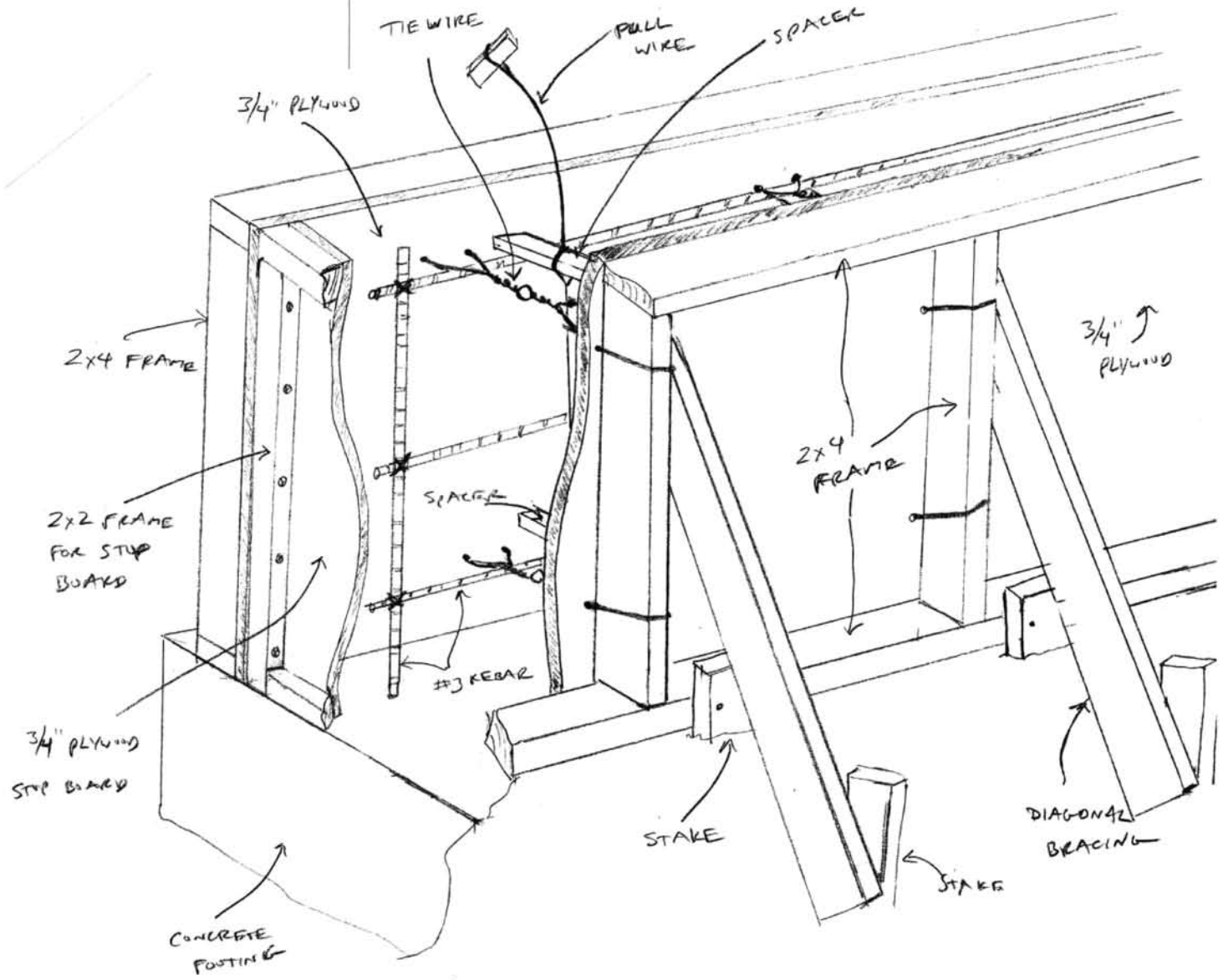
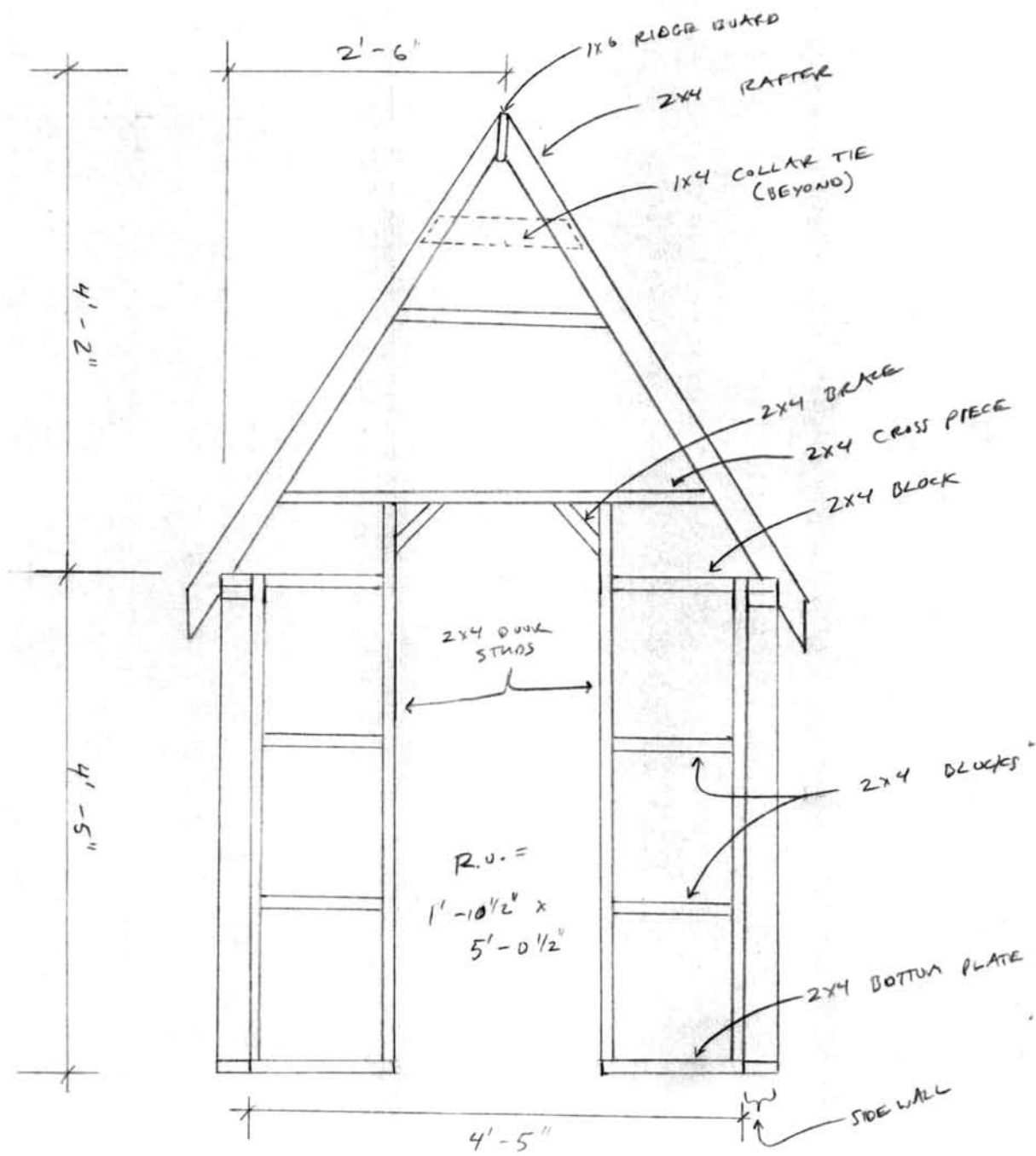


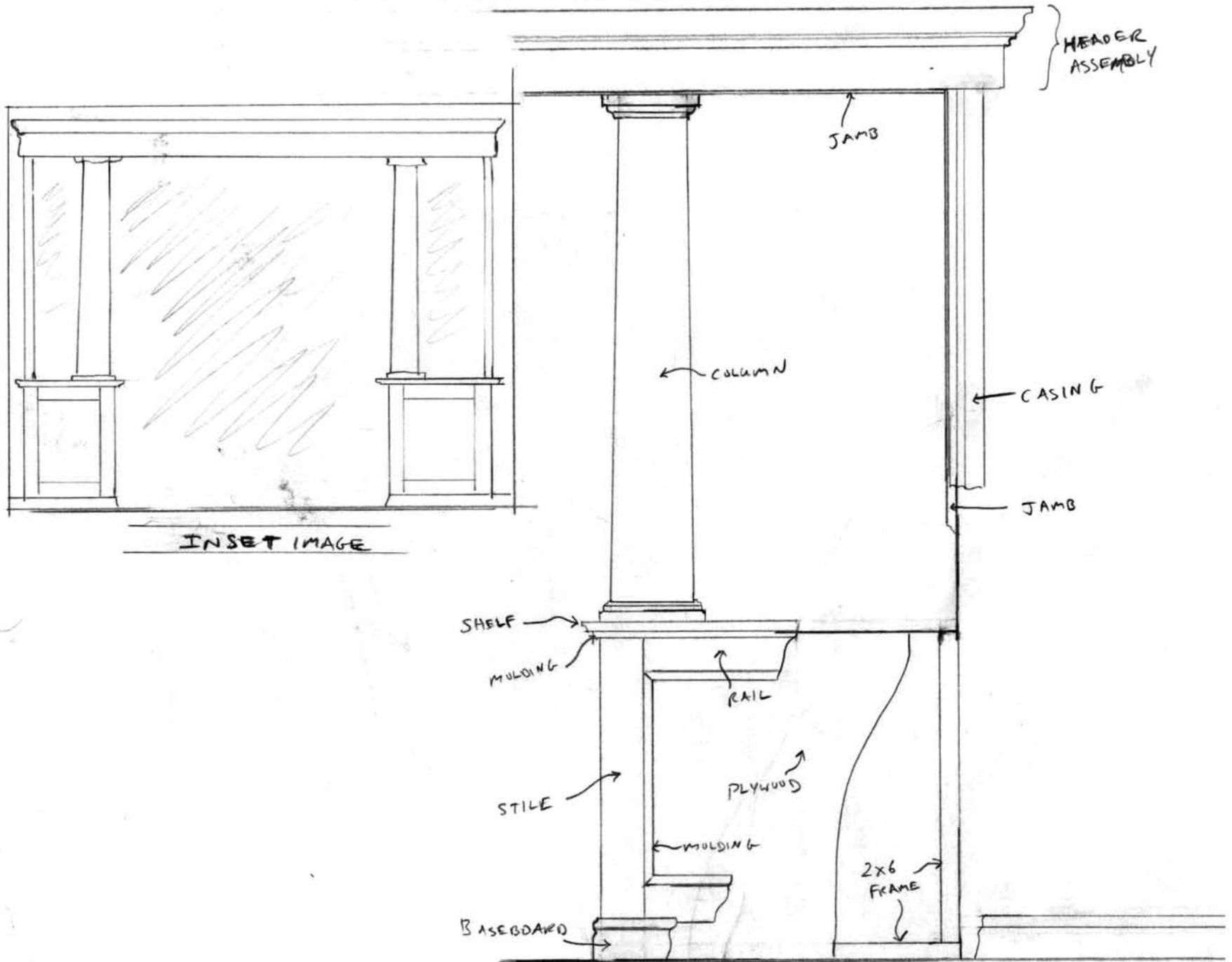
FORM FOR LOW CONCRETE WALL



PLAYHOUSE - FRONT FRAMING ELEVATION



CONSTRUCTION VIEW OF ROOM OPENING W/ INSET



TREEHOUSE PLATFORM - TRUNK AS CENTER POST

AXONOMETRIC VIEW

PLAN VIEW

